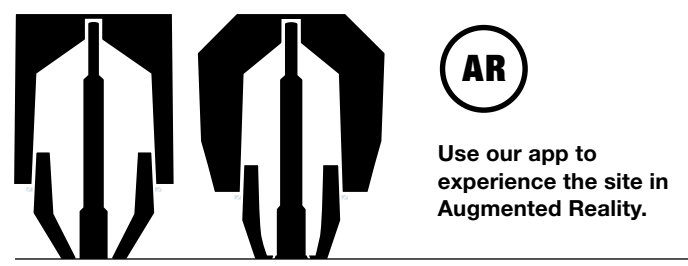


Product Information | Innovative Feeder Technology



Download Chemex App

| Tele-Feeders for Green Sand Molding Applications | | | | | | | |
|--|--------------|----------|-----------|-----------|---------|--------------------------------------|-------|
| Type | Modulus [cm] | du [mm] | Du [mm] | Dmax [mm] | H2 [mm] | Vol. ² [cm ³] | Shape |
| 10-10 (24) | 0.8 | 10 | 24 | 44 | 70 | 14 | CD |
| 12-15 (24) | 0.9 | 15 | 24 | 56 | 67 | 16 | CD |
| 24-15 (24) | 1 | 15 | 24 | 56 | 87 | 25 | CD |
| 40-15 (26)* | 1.3 | 15 | 26 | 63 | 83 | 37 | EK |
| 80-17 (28) | 1.6 | 17 | 28 | 73 | 90 | 60 | EK |
| 80-18 (34)* | 1.6 | 18 | 34 | 73 | 90 | 60 | EK |
| 90-17 (28) | 1.7 | 17 | 28 | 73 | 110 | 86 | EK |
| 90-18 (34)* | 1.7 | 18 | 34 | 73 | 110 | 86 | EK |
| 65-15 (26) | 1.8 | 15 | 26 | 88 | 120 | 63 | CD |
| 100-18 (35)* | 1.9 | 18 | 35 | 80 | 102 | 73 | EK |
| 100-25 (40)* | 1.9 | 25 | 40 | 80 | 102 | 73 | EK |
| 160-18(35)* | 2 | 18 | 35 | 80 | 121 | 126 | EK |
| 160-25(40)* | 2 | 25 | 40 | 80 | 121 | 126 | EK |
| 125-32 / 14 | 2 | 32 x 14 | 45 x 27 | 90 x 70 | 106 | 86 | CD OV |
| 180-25 (40) | 2 | 25 | 40 | 80 | 130 | 115 | EK |
| 190-30 (46) | 2 | 30 | 46 | 115 | 90 | 123 | EK |
| 195-22(38)* | 2.1 | 22 | 38 | 94 | 109 | 155 | EK |
| 120-25 (40) | 2.2 | 25 | 40 | 94 | 109 | 94 | EK |
| 220-25 (40)* | 2.3 | 25 | 40 | 104 | 127 | 227 | EK |
| 210-30 / 20 OV | 2.4 | 30 x 20 | 50 x 34 | 120 x 90 | 130 | 191 | CD OV |
| 320-30 / 20 OV | 2.6 | 30 x 20 | 50 x 34 | 120 x 90 | 170 | 283 | CD OV |
| 330-30 (52) | 2.6 | 30 | 52 | 128 | 100 | 181 | EK |
| 290- 30 (52)* | 2.8 | 30 | 52 | 128 | 155 | 234 | EK |
| 290-40 (70)* | 2.8 | 40 | 70 | 128 | 155 | 234 | EK |
| 300-30 (52)* | 3 | 30 | 52 | 128 | 143 | 360 | EK |
| 300-40 (70)* | 3 | 40 | 70 | 128 | 143 | 360 | EK |
| 500- 40 (62)* | 3.2 | 40 | 62 | 155 | 140 | 379 | EK |
| 500- 60 (80)* | 3.2 | 60 | 80 | 155 | 140 | 379 | EK |
| 500-70 (98)* | 3.2 | 70 | 98 | 155 | 122 | 379 | EK |
| 500-45 / 20 | 3.2 | 45 x 20 | 70 x 45 | 155 | 122 | 379 | EK |
| 700-30 (52)* | 3.3 | 30 | 52 | 128 | 180 | 584 | EK |
| 700-40 (70)* | 3.3 | 40 | 70 | 128 | 180 | 584 | EK |
| 700-40 / 20 | 3.3 | 40 x 20 | 52 x 32 | 128 | 180 | 584 | EK ov |
| 710-45 / 20* | 3.5 | 45 x 20 | 70 x 45 | 160 x 110 | 180 | 641 | CD OV |
| 850-40 (62)* | 3.7 | 40 | 62 | 155 | 162 | 654 | EK |
| 850-60 (80)* | 3.7 | 60 | 80 | 155 | 162 | 654 | EK |
| 850-70 (98)* | 3.7 | 70 | 98 | 155 | 162 | 654 | EK |
| 850-45 / 20 | 3.7 | 45 x 20 | 70 x 45 | 155 | 162 | 654 | EK ov |
| 1200-40 (62) | 4 | 40 | 62 | 155 | 212 | 984 | EK |
| 1200-60 (80) | 4 | 60 | 80 | 155 | 212 | 984 | EK |
| 1200-70 (98) | 4 | 70 | 98 | 155 | 212 | 984 | EK |
| 1200-45 / 20 | 4 | 45 x 20 | 70 x 45 | 155 | 212 | 984 | EK ov |
| 820-40 (70) | 4.2 | 40 | 70 | 190 | 185 | 694 | CD |
| 960-40 (70)* | 4.3 | 40 | 70 | 190 | 220 | 824 | CD |
| 1100-60 (80)* | 4.7 | 60 | 80 | 225 | 182 | 952 | CD |
| 1100-70 (98)* | 4.7 | 70 | 98 | 225 | 182 | 952 | CD |
| 1100-45 / 20 | 4.7 | 45 x 20 | 70 x 45 | 225 | 182 | 952 | CD ov |
| 1600-60 (80) | 5 | 60 | 80 | 225 | 242 | 1415 | CD |
| 2000-40 (62) | 5.4 | 40 | 62 | 225 | 272 | 1715 | CD |
| 2000-60 (80) | 5.4 | 60 | 80 | 225 | 272 | 1715 | CD |
| 2000-70 (98) | 5.4 | 70 | 98 | 225 | 272 | 1715 | CD |
| 2000-45 / 20 | 5.4 | 45 x 20 | 70 x 45 | 225 | 272 | 1715 | CD ov |
| 5300-165 / 65 | 5.6 | 165 x 65 | 200 x 100 | 360 x 260 | 200 | 4433 | CD OV |

*Made in Toledo, Ohio

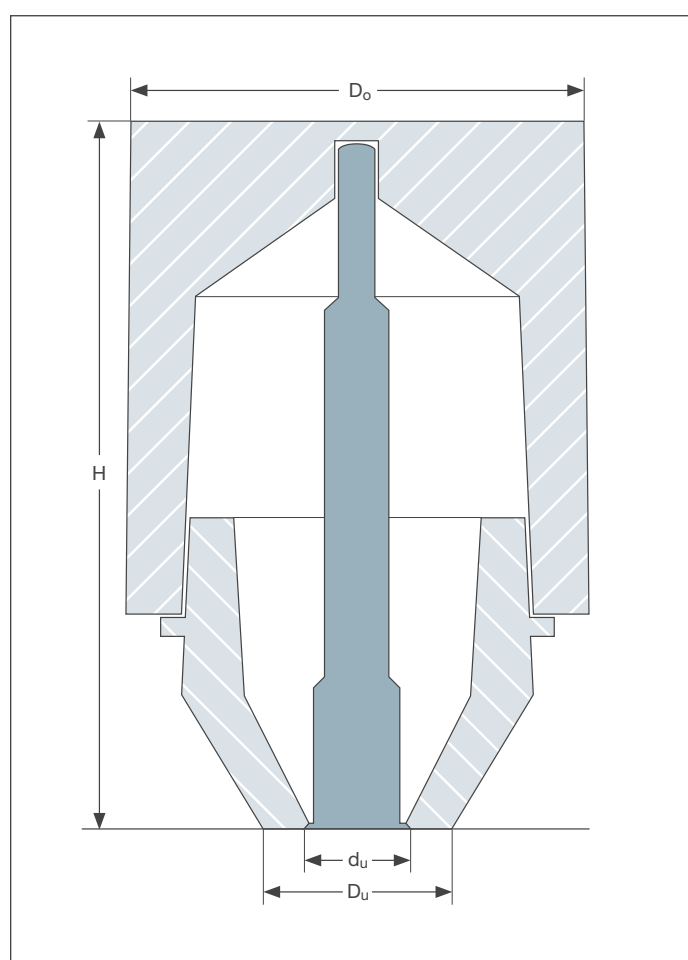
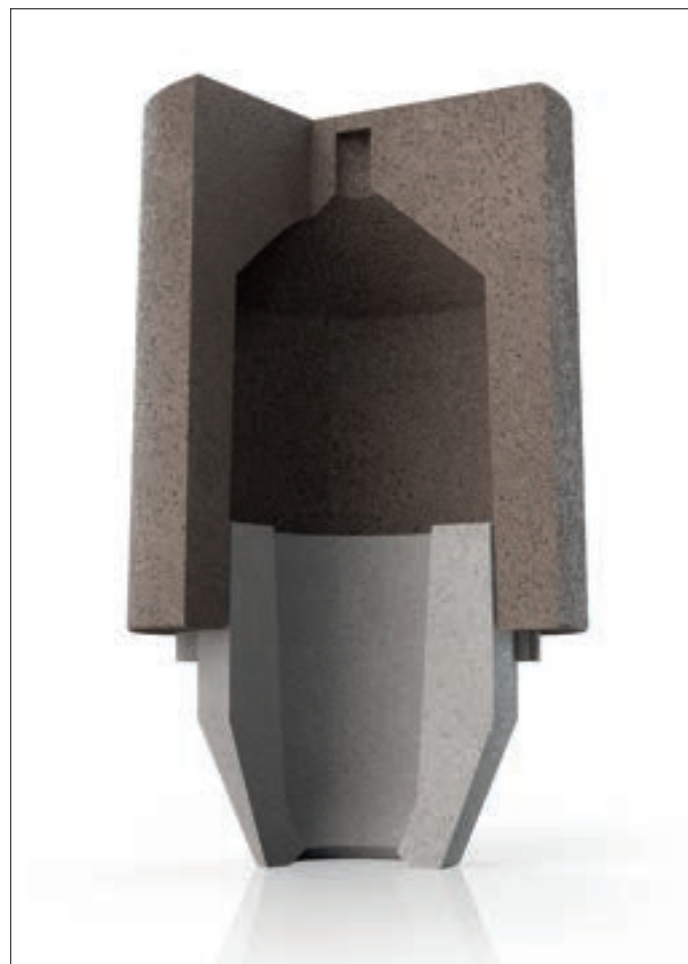


CHEMEX

Member of HA Group

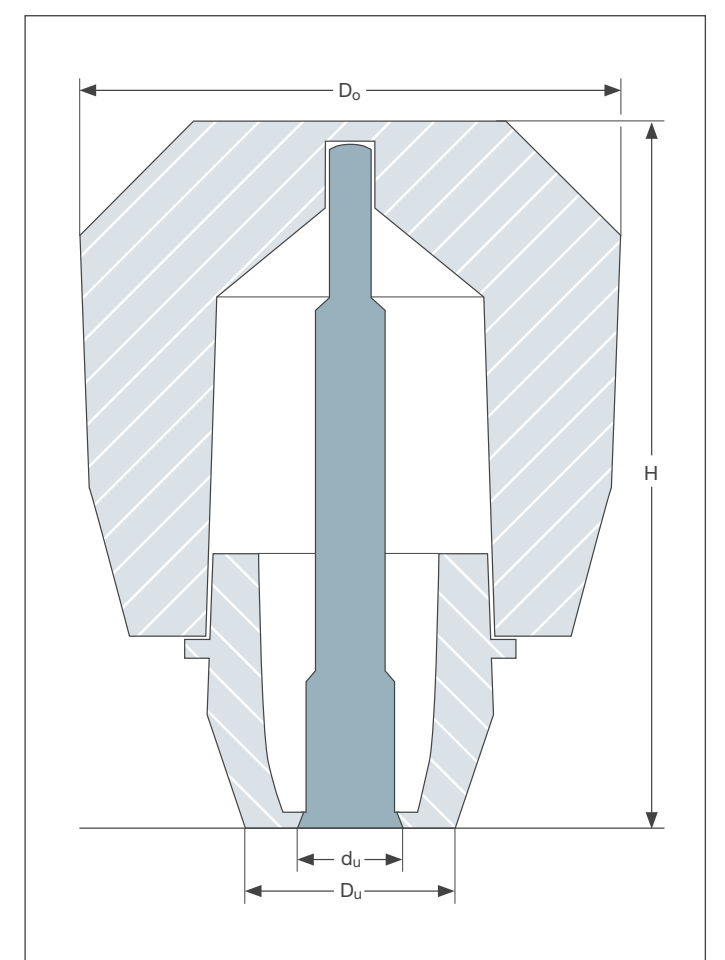
HA-International.com

Tele-Feeder EK-Shape



Tele-Feeder | EK-Shape cross section

Tele-Feeder CD-Shape

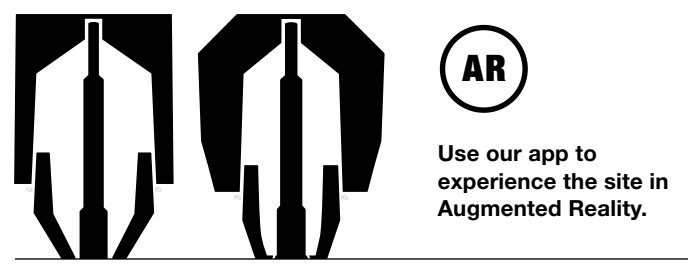


Tele-Feeder | CD-Shape with oval opening cross section



CONTACT OUR TEAM
630 Oakmont Lane - Westmont, IL 60559
(800) 323-6863
Sales.USA@HA-Group.com

Product Information | Innovative Feeder Technology



Download Chemex App

| Tele-Feeders for Green Sand Molding Applications | | | | | | | |
|--|--------------|-------------|-------------|---------------|--------|--------------------------------------|-------|
| Type | Modulus [in] | du [in] | Du [in] | Dmax [in] | H [in] | Vol. ² [in ³] | Shape |
| 10-10 (24) | 0.31 | 0.39 | 0.95 | 1.73 | 2.75 | 0.85 | CD |
| 12-15 (24) | 0.35 | 0.59 | 0.95 | 2.21 | 2.63 | 0.98 | CD |
| 24-15 (24) | 0.39 | 0.59 | 0.95 | 2.21 | 3.42 | 1.53 | CD |
| 40-15 (26)* | 0.51 | 0.59 | 1.02 | 2.48 | 3.26 | 2.26 | EK |
| 80-17 (28) | 0.63 | 0.67 | 1.10 | 2.87 | 3.54 | 3.66 | EK |
| 80-18 (34)* | 0.63 | 0.71 | 1.34 | 2.87 | 3.54 | 3.66 | EK |
| 90-17 (28) | 0.67 | 0.67 | 1.10 | 2.87 | 4.32 | 5.25 | EK |
| 90-18 (34)* | 0.67 | 0.71 | 1.34 | 2.87 | 4.32 | 5.25 | EK |
| 65-15 (26) | 0.71 | 0.59 | 1.02 | 3.47 | 4.72 | 3.84 | CD |
| 100-18 (35)* | 0.75 | 0.71 | 1.38 | 3.15 | 4.01 | 4.45 | EK |
| 100-25 (40)* | 0.75 | 0.98 | 1.58 | 3.15 | 4.01 | 4.45 | EK |
| 160-18(35)* | 0.79 | 0.71 | 1.38 | 3.15 | 4.76 | 7.69 | EK |
| 160-25(40)* | 0.79 | 0.98 | 1.58 | 3.15 | 4.76 | 7.69 | EK |
| 125-32 / 14 | 0.79 | 1.26 x 0.55 | 1.77 x 1.06 | 3.54 x 2.76 | 4.17 | 5.25 | CD OV |
| 180-25 (40) | 0.79 | 0.98 | 1.58 | 3.15 | 5.11 | 7.02 | EK |
| 190-30 (46) | 0.79 | 1.18 | 1.81 | 4.53 | 3.54 | 7.51 | EK |
| 195-22(38)* | 0.83 | 0.87 | 1.50 | 3.70 | 4.28 | 9.46 | EK |
| 120-25 (40) | 0.87 | 0.98 | 1.58 | 3.70 | 4.28 | 5.74 | EK |
| 220-25 (40)* | 0.91 | 0.98 | 1.58 | 4.09 | 4.99 | 13.85 | EK |
| 210-30 / 20 OV | 0.94 | 1.18 x 0.79 | 1.97 x 1.34 | 4.72 x 3.54 | 5.11 | 11.66 | CD OV |
| 320-30 / 20 OV | 1.02 | 1.18 x 0.79 | 1.97 x 1.34 | 4.72 x 3.54 | 6.68 | 17.27 | CD OV |
| 330-30 (52) | 1.02 | 1.18 | 2.05 | 5.04 | 3.93 | 11.05 | EK |
| 290- 30 (52)* | 1.10 | 1.18 | 2.05 | 5.04 | 6.09 | 14.28 | EK |
| 290-40 (70)* | 1.10 | 1.58 | 2.76 | 5.04 | 6.09 | 14.28 | EK |
| 300-30 (52)* | 1.18 | 1.18 | 2.05 | 5.04 | 5.62 | 21.97 | EK |
| 300-40 (70)* | 1.18 | 1.58 | 2.76 | 5.04 | 5.62 | 21.97 | EK |
| 500- 40 (62)* | 1.26 | 1.58 | 2.44 | 6.10 | 5.50 | 23.13 | EK |
| 500- 60 (80)* | 1.26 | 2.36 | 3.15 | 6.10 | 5.50 | 23.13 | EK |
| 500-70 (98)* | 1.26 | 2.76 | 3.86 | 6.10 | 4.80 | 23.13 | EK |
| 500-45 / 20 | 1.26 | 1.77 x 0.79 | 2.76 x 1.77 | 6.10 | 4.80 | 23.13 | EK |
| 700-30 (52)* | 1.30 | 1.18 | 2.05 | 5.04 | 7.08 | 35.64 | EK |
| 700-40 (70)* | 1.30 | 1.58 | 2.76 | 5.04 | 7.08 | 35.64 | EK |
| 700-40 / 20 | 1.30 | 1.57 x 0.79 | 2.05 x 1.26 | 5.04 | 7.08 | 35.64 | EK ov |
| 710-45 / 20* | 1.38 | 1.77 x 0.79 | 2.76 x 1.77 | 6.3 x 4.33 | 7.08 | 39.12 | CD OV |
| 850-40 (62)* | 1.46 | 1.58 | 2.44 | 6.10 | 6.37 | 39.91 | EK |
| 850-60 (80)* | 1.46 | 2.36 | 3.15 | 6.10 | 6.37 | 39.91 | EK |
| 850-70 (98)* | 1.46 | 2.76 | 3.86 | 6.10 | 6.37 | 39.91 | EK |
| 850-45 / 20 | 1.46 | 1.77 x 0.79 | 2.76 x 1.77 | 6.10 | 6.37 | 39.91 | EK ov |
| 1200-40 (62) | 1.57 | 1.58 | 2.44 | 6.10 | 8.33 | 60.05 | EK |
| 1200-60 (80) | 1.57 | 2.36 | 3.15 | 6.10 | 8.33 | 60.05 | EK |
| 1200-70 (98) | 1.57 | 2.76 | 3.86 | 6.10 | 8.33 | 60.05 | EK |
| 1200-45 / 20 | 1.57 | 1.77 x 0.79 | 2.76 x 1.77 | 6.10 | 8.33 | 60.05 | EK ov |
| 820-40 (70) | 1.65 | 1.58 | 2.76 | 7.48 | 7.27 | 42.35 | CD |
| 960-40 (70)* | 1.69 | 1.58 | 2.76 | 7.48 | 8.65 | 50.28 | CD |
| 1100-60 (80)* | 1.85 | 2.36 | 3.15 | 8.86 | 7.15 | 58.09 | CD |
| 1100-70 (98)* | 1.85 | 2.76 | 3.86 | 8.86 | 7.15 | 58.09 | CD |
| 1100-45 / 20 | 1.85 | 1.77 x 0.79 | 2.76 x 1.77 | 8.86 | 7.15 | 58.09 | CD ov |
| 1600-60 (80) | 1.97 | 2.36 | 3.15 | 8.86 | 9.51 | 86.35 | CD |
| 2000-40 (62) | 2.13 | 1.58 | 2.44 | 8.86 | 10.69 | 104.66 | CD |
| 2000-60 (80) | 2.13 | 2.36 | 3.15 | 8.86 | 10.69 | 104.66 | CD |
| 2000-70 (98) | 2.13 | 2.76 | 3.86 | 8.86 | 10.69 | 104.66 | CD |
| 2000-45 / 20 | 2.13 | 1.77 x 0.79 | 2.76 x 1.77 | 8.86 | 10.69 | 104.66 | CD ov |
| 5300-165 / 65 | 2.20 | 6.5 x 2.56 | 7.87 x 3.94 | 14.17 x 10.24 | 7.86 | 270.52 | CD OV |

*Made in Toledo, Ohio

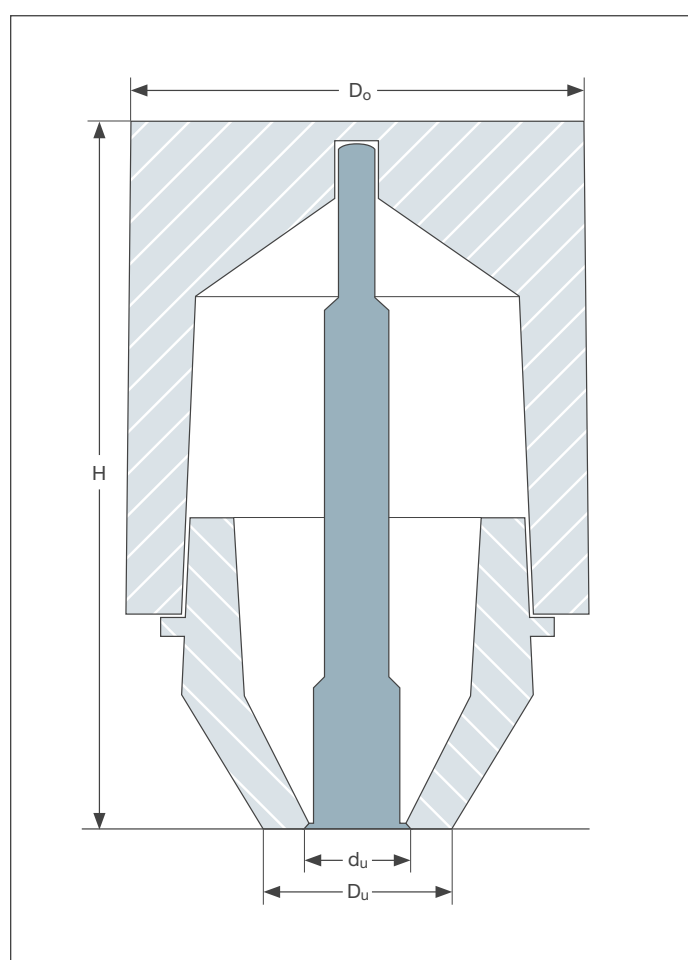


CHEMEX

Member of HA Group

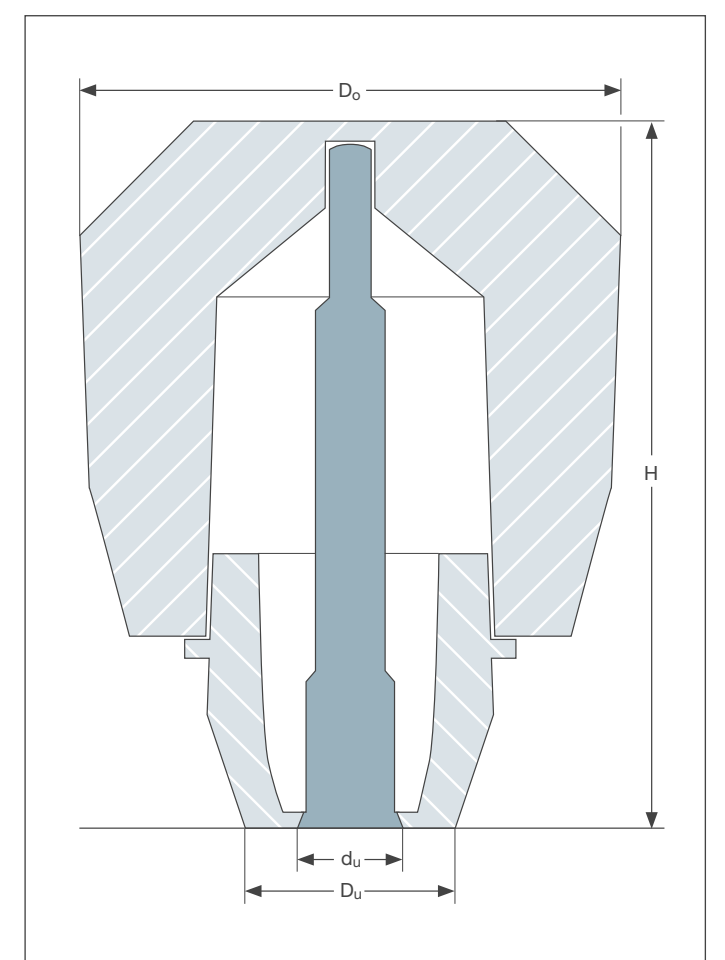
HA-International.com

Tele-Feeder EK-Shape



Tele-Feeder | EK-Shape cross section

Tele-Feeder CD-Shape



Tele-Feeder | CD-Shape with oval opening cross section



CONTACT OUR TEAM
630 Oakmont Lane - Westmont, IL 60559
(800) 323-6863
Sales.USA@HA-Group.com