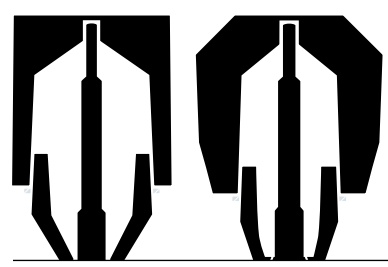


# Product Information | Innovative Feeder Technology



Use our app to experience the site in Augmented Reality.



Download Chemex App

| Tele-Feeders for Chemically Bonded Sand Molding Applications |              |             |             |               |        |                         |       |
|--|--------------|-------------|-------------|---------------|--------|-------------------------|-------|
| Type   | Modulus [in] | du [in]     | Du [in]     | Dmax [in]     | H [in] | Vol. [in <sup>3</sup> ] | Shape |
| 10-10 (24)   | 0.31         | 0.39        | 0.94        | 1.73          | 3.34   | 1.40                    | CD    |
| 12-15 (24)   | 0.35         | 0.59        | 0.94        | 2.20          | 3.42   | 1.77                    | CD    |
| 24-15 (24)   | 0.39         | 0.59        | 0.94        | 2.20          | 4.21   | 2.32                    | CD    |
| 40-15 (26)*  | 0.51         | 0.59        | 1.02        | 2.48          | 4.05   | 3.72                    | EK    |
| 80-17 (28)   | 0.63         | 0.67        | 1.10        | 2.87          | 4.52   | 6.77                    | EK    |
| 80-18 (34)*  | 0.63         | 0.71        | 1.34        | 2.87          | 4.52   | 6.77                    | EK    |
| 90-17 (28)   | 0.67         | 0.67        | 1.10        | 2.87          | 5.31   | 8.30                    | EK    |
| 90-18 (34)*  | 0.67         | 0.71        | 1.34        | 2.87          | 5.31   | 8.30                    | EK    |
| 65-15 (26)   | 0.71         | 0.59        | 1.02        | 3.46          | 5.50   | 5.31                    | CD    |
| 100-18 (35)*   | 0.75         | 0.71        | 1.38        | 3.15          | 5.19   | 9.09                    | EK    |
| 100-25 (40)*   | 0.75         | 0.98        | 1.57        | 3.15          | 5.19   | 9.09                    | EK    |
| 160-18(35)*  | 0.79         | 0.71        | 1.38        | 3.15          | 5.94   | 11.17                   | EK    |
| 160-25(40)*  | 0.79         | 0.98        | 1.57        | 3.15          | 5.94   | 11.17                   | EK    |
| 125-32 / 14  | 0.79         | 1.26 x 0.55 | 1.77 x 1.06 | 3.54 x 2.76   | 5.15   | 7.93                    | CD OV |
| 180-25 (40)  | 0.79         | 0.98        | 1.57        | 3.15          | 6.29   | 11.41                   | EK    |
| 190-30 (46)  | 0.79         | 1.18        | 1.81        | 4.53          | 4.32   | 13.18                   | EK    |
| 195-22(38)*  | 0.83         | 0.87        | 1.50        | 3.70          | 5.46   | 15.99                   | EK    |
| 120-25 (40)  | 0.87         | 0.98        | 1.57        | 3.70          | 5.46   | 10.13                   | EK    |
| 220-25 (40)*   | 0.91         | 0.98        | 1.57        | 4.09          | 6.17   | 22.52                   | EK    |
| 210-30 / 20 OV   | 0.94         | 1.18 x 0.79 | 1.97 x 1.34 | 4.72 x 3.54   | 6.09   | 16.11                   | CD OV |
| 320-30 / 20 OV   | 1.02         | 1.18 x 0.79 | 1.97 x 1.34 | 4.72 x 3.54   | 7.67   | 21.79                   | CD OV |
| 330-30 (52)  | 1.02         | 1.18        | 2.05        | 5.04          | 4.72   | 19.71                   | EK    |
| 290- 30 (52)*  | 1.10         | 1.18        | 2.05        | 5.04          | 6.09   | 29.29                   | EK    |
| 290-40 (70)*   | 1.10         | 1.57        | 2.76        | 5.04          | 6.09   | 29.29                   | EK    |
| 300-30 (52)*   | 1.18         | 1.18        | 2.05        | 5.04          | 7.00   | 36.98                   | EK    |
| 300-40 (70)*   | 1.18         | 1.57        | 2.76        | 5.04          | 7.00   | 36.98                   | EK    |
| 500- 40 (62)*  | 1.26         | 1.57        | 2.44        | 6.10          | 6.17   | 45.71                   | EK    |
| 500- 60 (80)*  | 1.26         | 2.36        | 3.15        | 6.10          | 6.17   | 45.71                   | EK    |
| 500-70 (98)*   | 1.26         | 2.76        | 3.86        | 6.10          | 6.17   | 45.71                   | EK    |
| 500-45 / 20  | 1.26         | 1.77 x 0.79 | 2.76 x 1.77 | 6.10          | 6.17   | 45.71                   | EK    |
| 700-30 (52)*   | 1.30         | 1.18        | 2.05        | 5.04          | 8.45   | 50.65                   | EK    |
| 700-40 (70)*   | 1.30         | 1.57        | 2.76        | 5.04          | 8.45   | 50.65                   | EK    |
| 700-40 / 20  | 1.30         | 1.57 x 0.79 | 2.05 x 1.26 | 5.04          | 8.45   | 50.65                   | EK ov |
| 710-45 / 20*   | 1.38         | 1.77 x 0.79 | 2.76 x 1.77 | 6.3 x 4.33    | 8.45   | 54.31                   | CD OV |
| 850-40 (62)*   | 1.46         | 1.57        | 2.44        | 6.10          | 7.74   | 62.43                   | EK    |
| 850-60 (80)*   | 1.46         | 2.36        | 3.15        | 6.10          | 7.74   | 62.43                   | EK    |
| 850-70 (98)*   | 1.46         | 2.76        | 3.86        | 6.10          | 7.74   | 62.43                   | EK    |
| 850-45 / 20  | 1.46         | 1.77 x 0.79 | 2.76 x 1.77 | 6.10          | 7.74   | 62.43                   | EK ov |
| 1200-40 (62)   | 1.57         | 1.57        | 2.44        | 6.10          | 9.71   | 82.63                   | EK    |
| 1200-60 (80)   | 1.57         | 2.36        | 3.15        | 6.10          | 9.71   | 82.63                   | EK    |
| 1200-70 (98)   | 1.57         | 2.76        | 3.86        | 6.10          | 9.71   | 82.63                   | EK    |
| 1200-45 / 20   | 1.57         | 1.77 x 0.79 | 2.76 x 1.77 | 6.10          | 9.71   | 82.63                   | EK ov |
| 820-40 (70)  | 1.65         | 1.57        | 2.76        | 7.48          | 8.65   | 57.61                   | CD    |
| 960-40 (70)*   | 1.69         | 1.57        | 2.76        | 7.48          | 10.02  | 65.54                   | CD    |
| 1100-60 (80)*  | 1.85         | 2.36        | 3.15        | 8.86          | 8.53   | 80.67                   | CD    |
| 1100-70 (98)*  | 1.85         | 2.76        | 3.86        | 8.86          | 8.53   | 80.67                   | CD    |
| 1100-45 / 20   | 1.85         | 1.77 x 0.79 | 2.76 x 1.77 | 8.86          | 8.53   | 80.67                   | CD ov |
| 1600-60 (80)   | 1.97         | 2.36        | 3.15        | 8.86          | 10.89  | 108.93                  | CD    |
| 2000-40 (62)   | 2.13         | 1.57        | 2.44        | 8.86          | 12.07  | 127.24                  | CD    |
| 2000-60 (80)   | 2.13         | 2.36        | 3.15        | 8.86          | 12.07  | 127.24                  | CD    |
| 2000-70 (98)   | 2.13         | 2.76        | 3.86        | 8.86          | 12.07  | 127.24                  | CD    |
| 2000-45 / 20   | 2.13         | 1.77 x 0.79 | 2.76 x 1.77 | 8.86          | 12.07  | 127.24                  | CD ov |
| 5300-165 / 65  | 2.20         | 6.5 x 2.56  | 7.87 x 3.94 | 14.17 x 10.24 | 9.43   | 364.01                  | CD OV |
| 3600-65 (100)  | 2.28         | 2.56        | 3.94        | 11.42         | 12.19  | 257.95                  | CD    |
| 3600-100 / 45  | 2.28         | 3.94 x 1.77 | 5.31 x 3.15 | 11.42         | 12.19  | 257.95                  | CD ov |
| 7400-165 / 65  | 2.52         | 6.5 x 2.56  | 7.87 x 3.94 | 14.17 x 10.24 | 12.19  | 520.84                  | CD OV |
| 6600-165 / 65  | 2.60         | 6.5 x 2.56  | 7.87 x 3.94 | 14.17 x 10.24 | 12.19  | 470.31                  | CD OV |
| 7800-165 / 65  | 2.76         | 6.5 x 2.56  | 7.87 x 3.94 | 16.14 x 10.24 | 12.19  | 576.68                  | CD OV |
| 9900-100 (160)   | 3.39         | 3.94        | 6.30        | 15.75         | 12.19  | 708.49                  | CD    |

\*Made in Toledo, Ohio

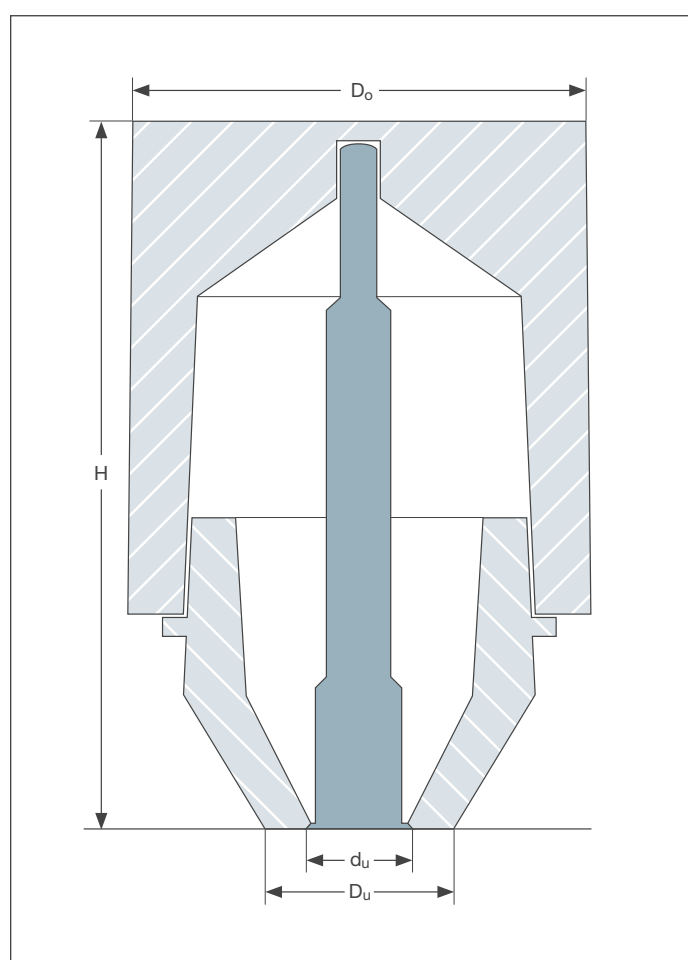
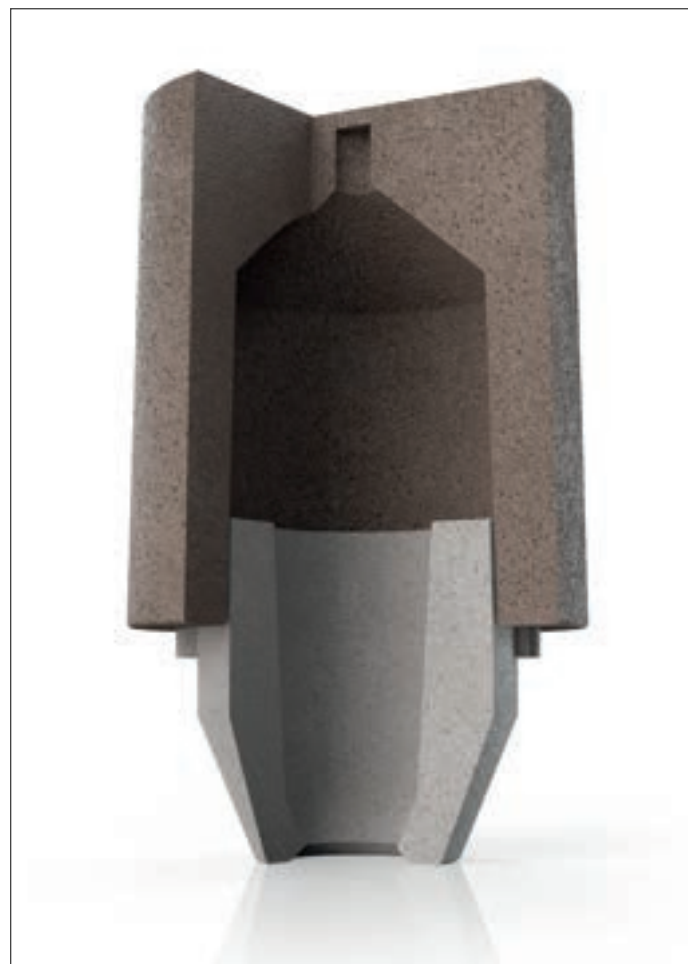


## CHEMEX

Member of HA Group

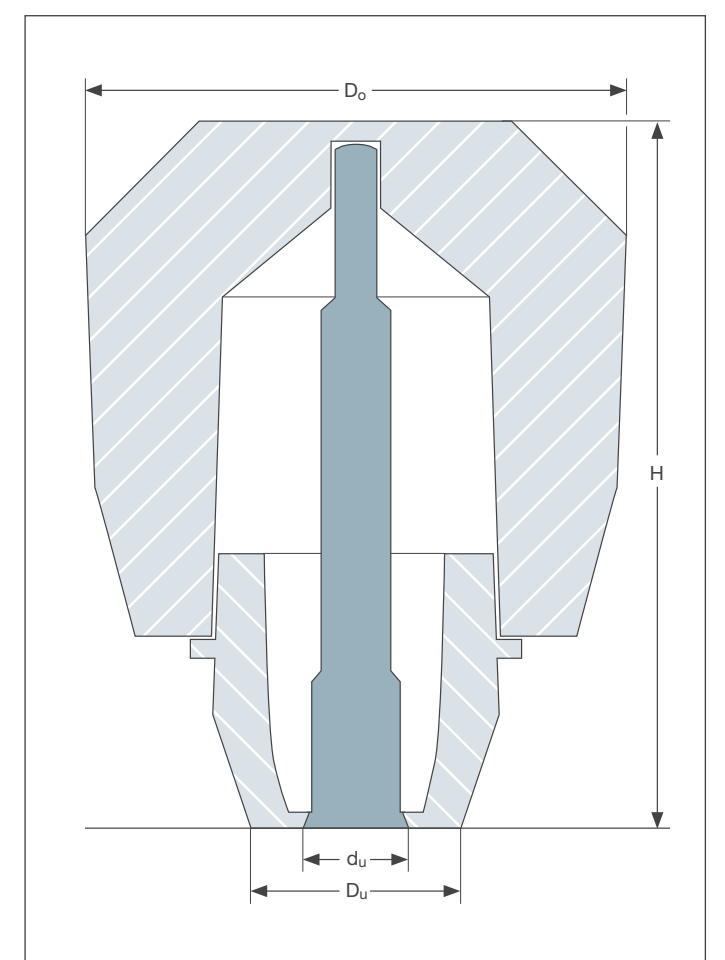
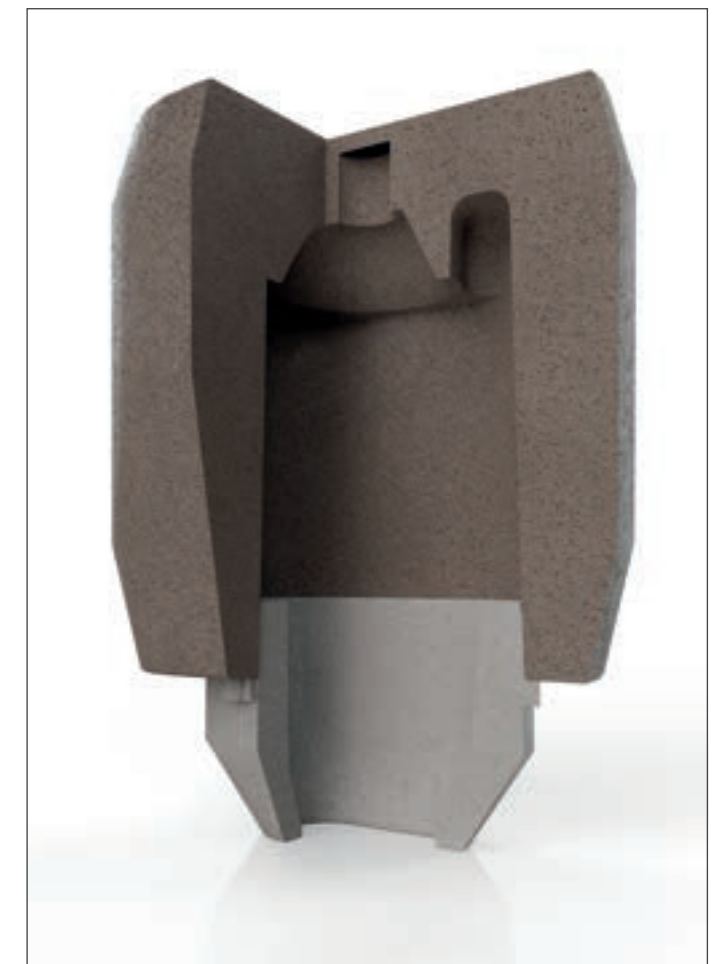
HA-International.com

### Tele-Feeder EK-Shape



Tele-Feeder | EK-Shape cross section

### Tele-Feeder CD-Shape

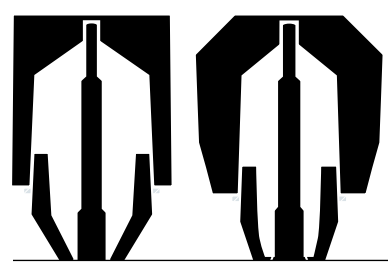


Tele-Feeder | CD-Shape with oval opening cross section



**CONTACT OUR TEAM**  
630 Oakmont Lane - Westmont, IL 60559  
(800) 323-6863  
Sales.USA@HA-Group.com

# Product Information | Innovative Feeder Technology



Use our app to experience the site in Augmented Reality.



Download Chemex App

| Tele-Feeders for Chemically Bonded Sand Molding Applications |              |          |           |           |        |                         |       |
|--|--------------|----------|-----------|-----------|--------|-------------------------|-------|
| Type   | Modulus [cm] | du [mm]  | Du [mm]   | Dmax [mm] | H [mm] | Vol. [cm <sup>3</sup> ] | Shape |
| 10-10 (24)   | 0.8          | 10       | 24        | 44        | 85     | 23                      | CD    |
| 12-15 (24)   | 0.9          | 15       | 24        | 56        | 87     | 29                      | CD    |
| 24-15 (24)   | 1            | 15       | 24        | 56        | 107    | 38                      | CD    |
| 40-15 (26)*  | 1.3          | 15       | 26        | 63        | 103    | 61                      | EK    |
| 80-17 (28)   | 1.6          | 17       | 28        | 73        | 115    | 111                     | EK    |
| 80-18 (34)*  | 1.6          | 18       | 34        | 73        | 115    | 111                     | EK    |
| 90-17 (28)   | 1.7          | 17       | 28        | 73        | 135    | 136                     | EK    |
| 90-18 (34)*  | 1.7          | 18       | 34        | 73        | 135    | 136                     | EK    |
| 65-15 (26)   | 1.8          | 15       | 26        | 88        | 140    | 87                      | CD    |
| 100-18 (35)*   | 1.9          | 18       | 35        | 80        | 132    | 149                     | EK    |
| 100-25 (40)*   | 1.9          | 25       | 40        | 80        | 132    | 149                     | EK    |
| 160-18(35)*  | 2            | 18       | 35        | 80        | 151    | 183                     | EK    |
| 160-25(40)*  | 2            | 25       | 40        | 80        | 151    | 183                     | EK    |
| 125-32 / 14  | 2            | 32 x 14  | 45 x 27   | 90 x 70   | 131    | 130                     | CD OV |
| 180-25 (40)  | 2            | 25       | 40        | 80        | 160    | 187                     | EK    |
| 190-30 (46)  | 2            | 30       | 46        | 115       | 110    | 216                     | EK    |
| 195-22(38)*  | 2.1          | 22       | 38        | 94        | 139    | 262                     | EK    |
| 120-25 (40)  | 2.2          | 25       | 40        | 94        | 139    | 166                     | EK    |
| 220-25 (40)*   | 2.3          | 25       | 40        | 104       | 157    | 369                     | EK    |
| 210-30 / 20 OV   | 2.4          | 30 x 20  | 50 x 34   | 120 x 90  | 155    | 264                     | CD OV |
| 320-30 / 20 OV   | 2.6          | 30 x 20  | 50 x 34   | 120 x 90  | 195    | 357                     | CD OV |
| 330-30 (52)  | 2.6          | 30       | 52        | 128       | 120    | 323                     | EK    |
| 290- 30 (52)*  | 2.8          | 30       | 52        | 128       | 155    | 480                     | EK    |
| 290-40 (70)*   | 2.8          | 40       | 70        | 128       | 155    | 480                     | EK    |
| 300-30 (52)*   | 3            | 30       | 52        | 128       | 178    | 606                     | EK    |
| 300-40 (70)*   | 3            | 40       | 70        | 128       | 178    | 606                     | EK    |
| 500- 40 (62)*  | 3.2          | 40       | 62        | 155       | 157    | 749                     | EK    |
| 500- 60 (80)*  | 3.2          | 60       | 80        | 155       | 157    | 749                     | EK    |
| 500-70 (98)*   | 3.2          | 70       | 98        | 155       | 157    | 749                     | EK    |
| 500-45 / 20  | 3.2          | 45 x 20  | 70 x 45   | 155       | 157    | 749                     | EK    |
| 700-30 (52)*   | 3.3          | 30       | 52        | 128       | 215    | 830                     | EK    |
| 700-40 (70)*   | 3.3          | 40       | 70        | 128       | 215    | 830                     | EK    |
| 700-40 / 20  | 3.3          | 40 x 20  | 52 x 32   | 128       | 215    | 830                     | EK ov |
| 710-45 / 20*   | 3.5          | 45 x 20  | 70 x 45   | 160 x 110 | 215    | 890                     | CD OV |
| 850-40 (62)*   | 3.7          | 40       | 62        | 155       | 197    | 1023                    | EK    |
| 850-60 (80)*   | 3.7          | 60       | 80        | 155       | 197    | 1023                    | EK    |
| 850-70 (98)*   | 3.7          | 70       | 98        | 155       | 197    | 1023                    | EK    |
| 850-45 / 20  | 3.7          | 45 x 20  | 70 x 45   | 155       | 197    | 1023                    | EK ov |
| 1200-40 (62)   | 4            | 40       | 62        | 155       | 247    | 1354                    | EK    |
| 1200-60 (80)   | 4            | 60       | 80        | 155       | 247    | 1354                    | EK    |
| 1200-70 (98)   | 4            | 70       | 98        | 155       | 247    | 1354                    | EK    |
| 1200-45 / 20   | 4            | 45 x 20  | 70 x 45   | 155       | 247    | 1354                    | EK ov |
| 820-40 (70)  | 4.2          | 40       | 70        | 190       | 220    | 944                     | CD    |
| 960-40 (70)*   | 4.3          | 40       | 70        | 190       | 255    | 1074                    | CD    |
| 1100-60 (80)*  | 4.7          | 60       | 80        | 225       | 217    | 1322                    | CD    |
| 1100-70 (98)*  | 4.7          | 70       | 98        | 225       | 217    | 1322                    | CD    |
| 1100-45 / 20   | 4.7          | 45 x 20  | 70 x 45   | 225       | 217    | 1322                    | CD ov |
| 1600-60 (80)   | 5            | 60       | 80        | 225       | 277    | 1785                    | CD    |
| 2000-40 (62)   | 5.4          | 40       | 62        | 225       | 307    | 2085                    | CD    |
| 2000-60 (80)   | 5.4          | 60       | 80        | 225       | 307    | 2085                    | CD    |
| 2000-70 (98)   | 5.4          | 70       | 98        | 225       | 307    | 2085                    | CD    |
| 2000-45 / 20   | 5.4          | 45 x 20  | 70 x 45   | 225       | 307    | 2085                    | CD ov |
| 5300-165 / 65  | 5.6          | 165 x 65 | 200 x 100 | 360 x 260 | 240    | 5965                    | CD OV |
| 3600-65 (100)  | 5.8          | 65       | 100       | 290       | 310    | 4227                    | CD    |
| 3600-100 / 45  | 5.8          | 100 x 45 | 135 x 80  | 290       | 310    | 4227                    | CD ov |
| 7400-165 / 65  | 6.4          | 165 x 65 | 200 x 100 | 360 x 260 | 310    | 8535                    | CD OV |
| 6600-165 / 65  | 6.6          | 165 x 65 | 200 x 100 | 360 x 260 | 310    | 7707                    | CD OV |
| 7800-165 / 65  | 7            | 165 x 65 | 200 x 100 | 410 x 260 | 310    | 9450                    | CD OV |
| 9900-100 (160)   | 8.6          | 100      | 160       | 400       | 310    | 11610                   | CD    |

\*Made in Toledo, Ohio

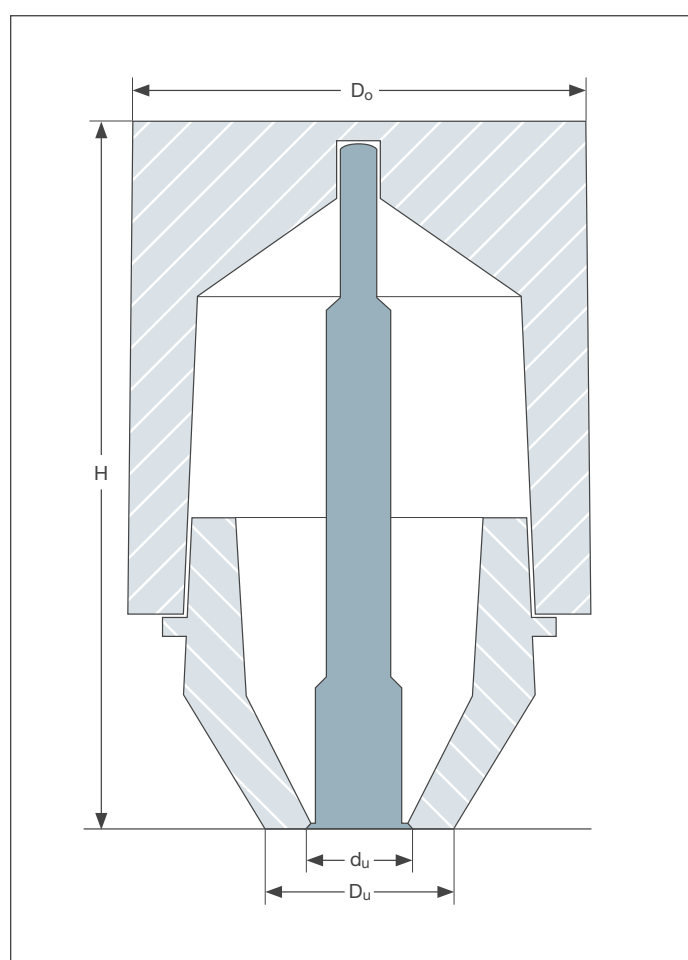
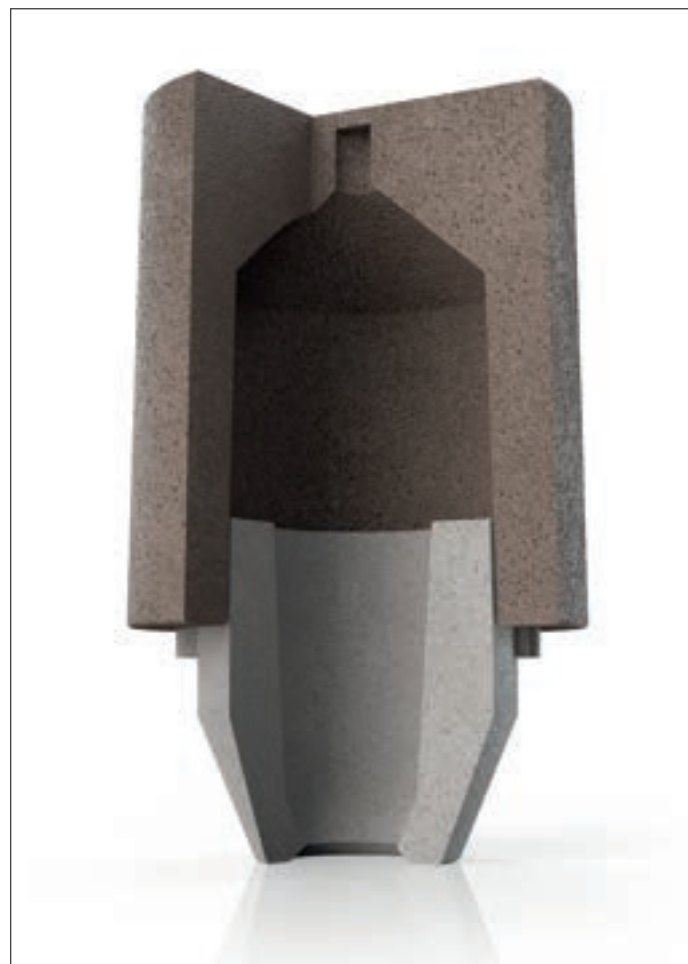


## CHEMEX

Member of HA Group

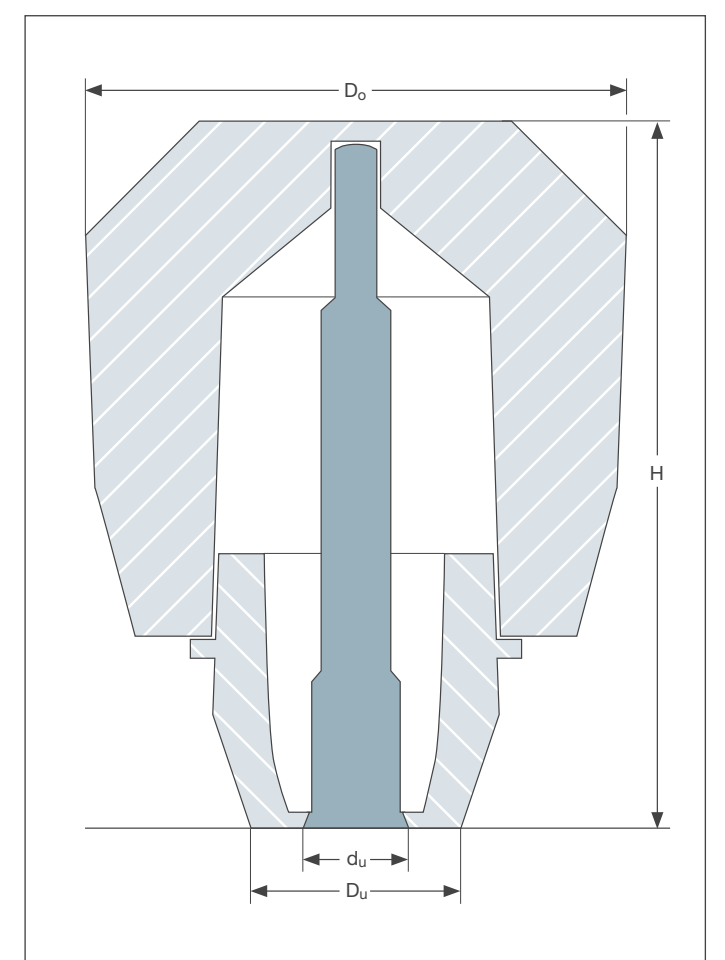
HA-International.com

### Tele-Feeder EK-Shape



Tele-Feeder | EK-Shape cross section

### Tele-Feeder CD-Shape



Tele-Feeder | CD-Shape with oval opening cross section



**CONTACT OUR TEAM**  
630 Oakmont Lane - Westmont, IL 60559  
(800) 323-6863  
Sales.USA@HA-Group.com